

SERVICE MANUAL

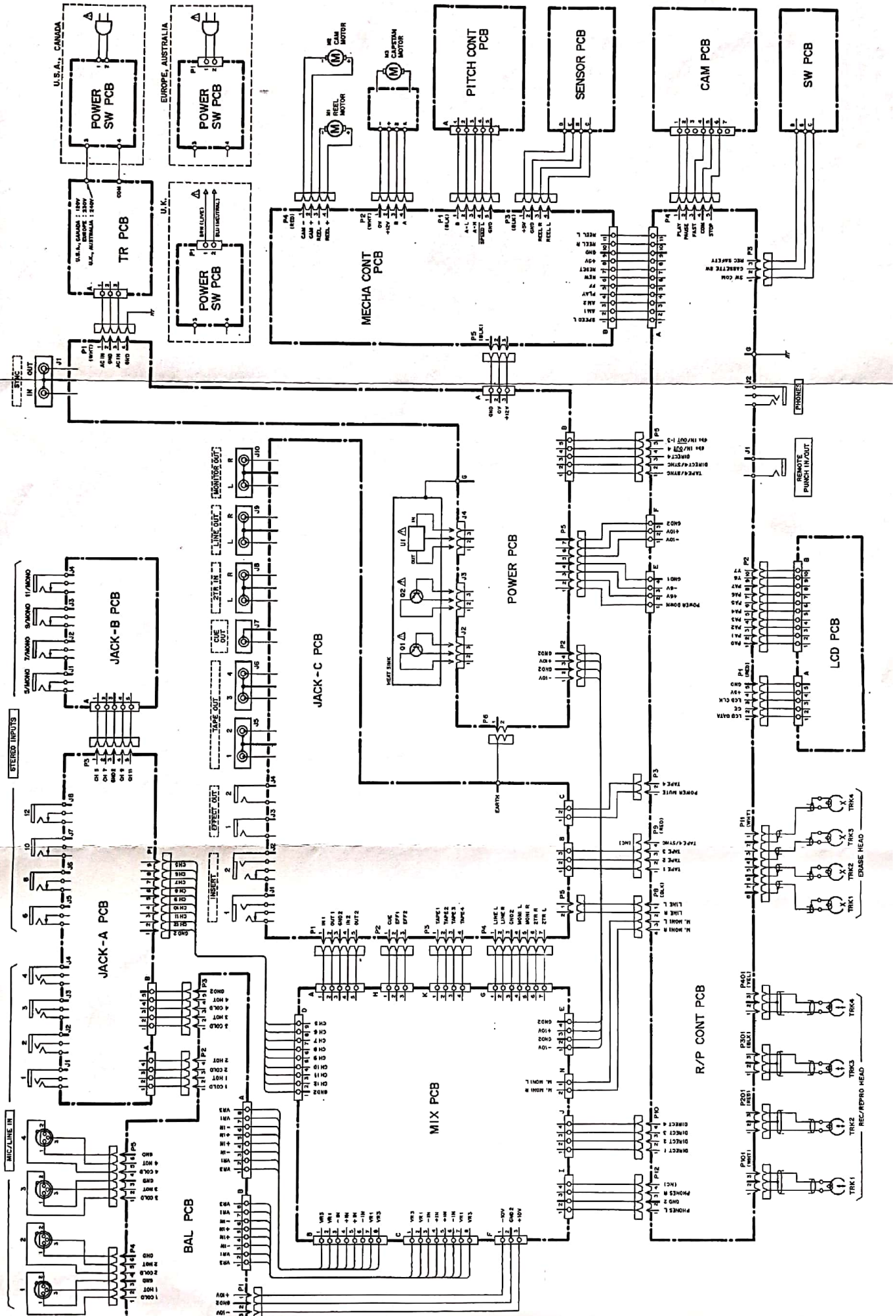
464

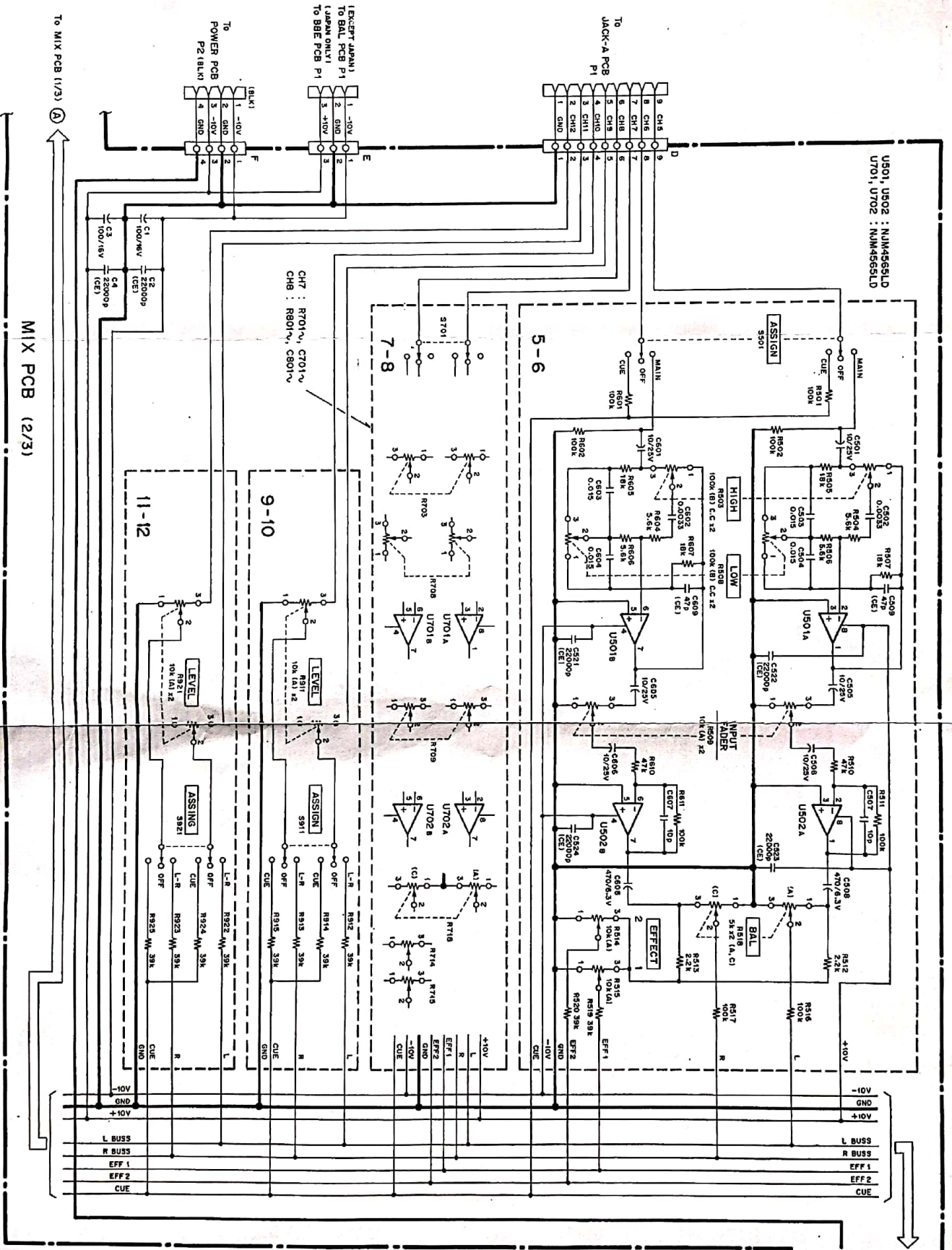
PORTASTUDIO

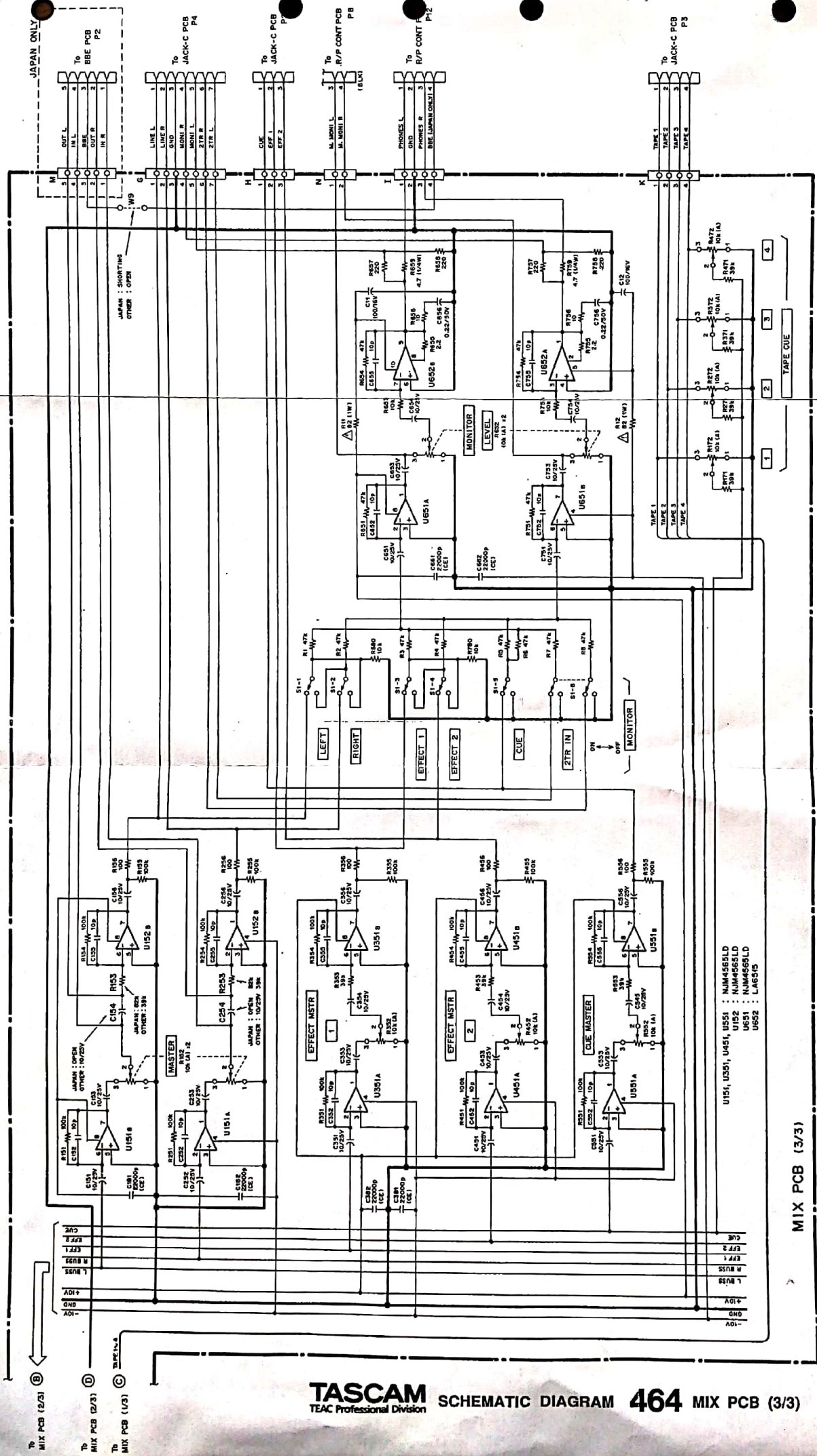
Schematic Diagrams

TASCAM
TEAC Professional Division

Effective: JANUARY, 1992 941193







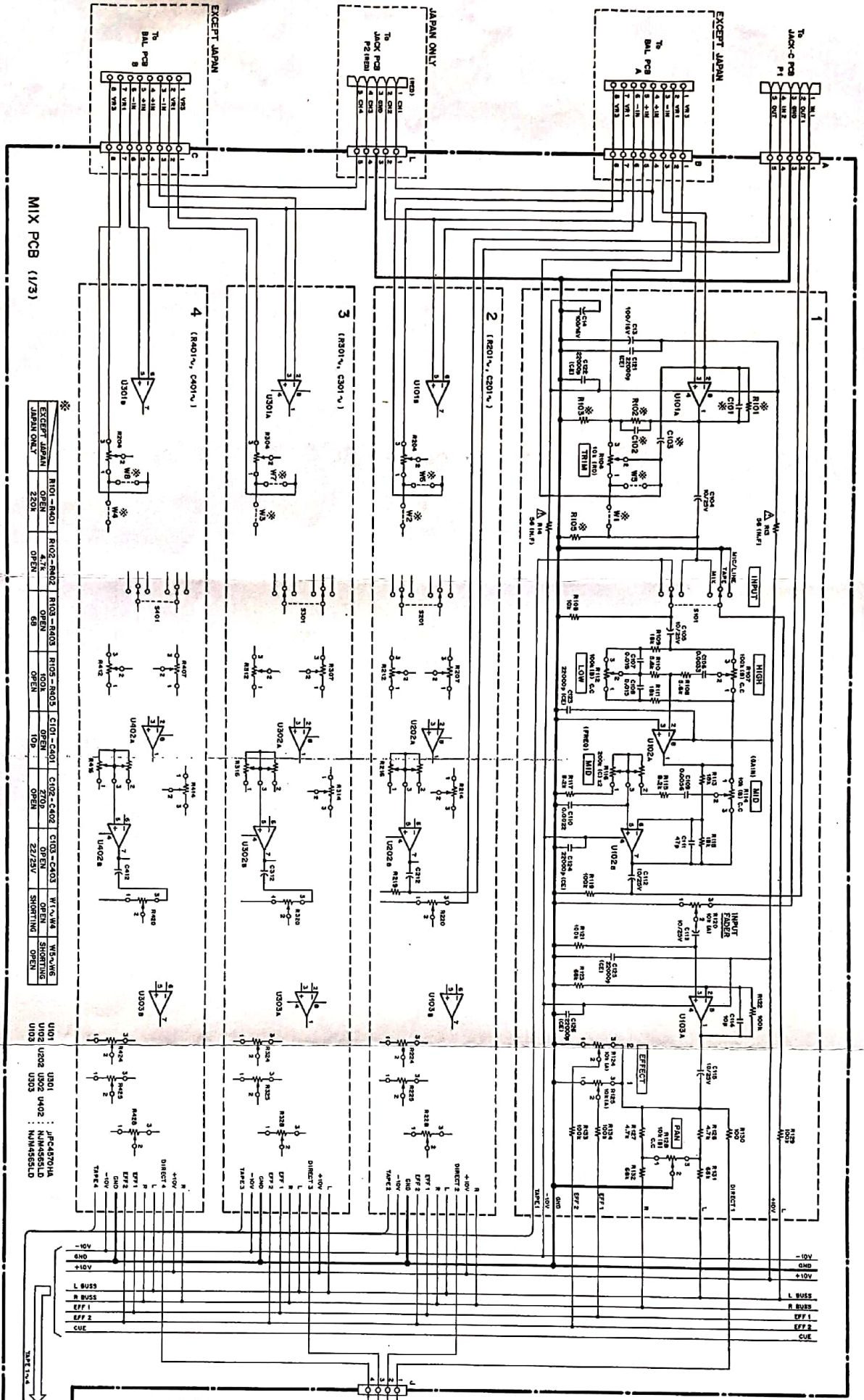
To MIX PCB (2/3) (B)
 To MIX PCB (2/3) (D)
 To MIX PCB (1/3) (C)

TASCAM Schematic Diagram **464** MIX PCB (3/3)
 TEAC Professional Division

- U151, U551, U451, U521 : NJM4558LD
- U521 : NJM4558LD
- U522 : NJM4558LD
- U522 : LA6515

MIX PCB (3/3)

SCHEMATIC DIAGRAM 464 MIX PCB (1/3)



R101-R401	R102-R402	R103-R403	R104-R404	R105-R405	R106-R406	R107-R407	R108-R408	C101-C401	C102-C402	C103-C403	W1-C404	W1-A405
OPEN	OPEN	OPEN	OPEN	OPEN	OPEN	OPEN	OPEN	OPEN	OPEN	OPEN	SHORTING	SHORTING
220K	220K	56	56	56	56	56	56	10K	10K	10K	22/25V	22/25V

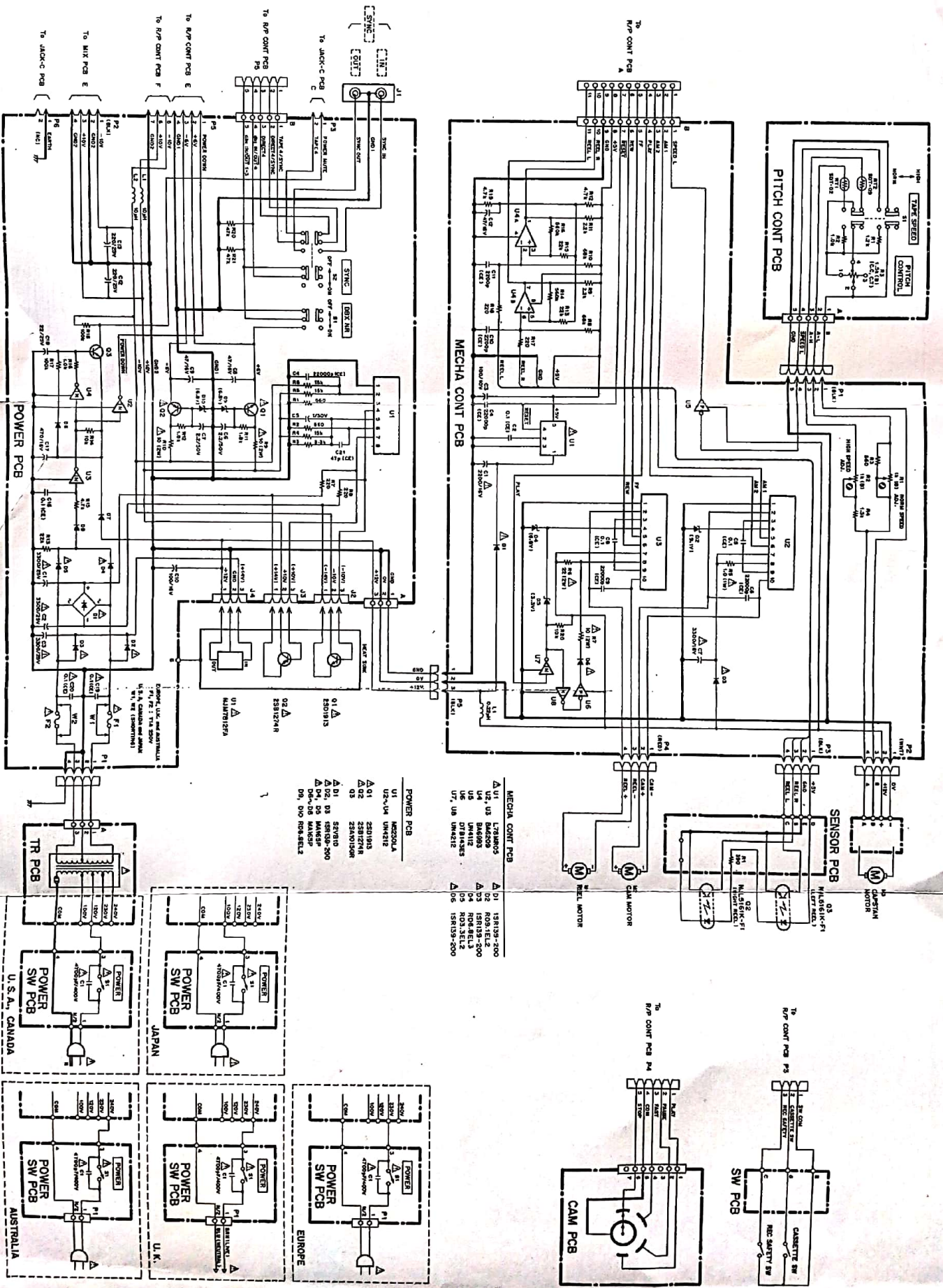
U101	U201	U301	U401
U202	U302	U402	U403
U203	U303	U404	U405
U204	U304	U406	U407
U205	U305	U408	U409
U206	U306	U410	U411
U207	U307	U412	U413
U208	U308	U414	U415
U209	U309	U416	U417
U210	U310	U418	U419
U211	U311	U420	U421
U212	U312	U422	U423
U213	U313	U424	U425
U214	U314	U426	U427
U215	U315	U428	U429
U216	U316	U430	U431
U217	U317	U432	U433
U218	U318	U434	U435
U219	U319	U436	U437
U220	U320	U438	U439
U221	U321	U440	U441
U222	U322	U442	U443
U223	U323	U444	U445
U224	U324	U446	U447
U225	U325	U448	U449
U226	U326	U450	U451
U227	U327	U452	U453
U228	U328	U454	U455
U229	U329	U456	U457
U230	U330	U458	U459
U231	U331	U460	U461
U232	U332	U462	U463
U233	U333	U464	U465
U234	U334	U466	U467
U235	U335	U468	U469
U236	U336	U470	U471
U237	U337	U472	U473
U238	U338	U474	U475
U239	U339	U476	U477
U240	U340	U478	U479
U241	U341	U480	U481
U242	U342	U482	U483
U243	U343	U484	U485
U244	U344	U486	U487
U245	U345	U488	U489
U246	U346	U490	U491
U247	U347	U492	U493
U248	U348	U494	U495
U249	U349	U496	U497
U250	U350	U498	U499
U251	U351	U500	U501

JPC48707A	JPC48707A	JPC48707A	JPC48707A
U101	U201	U301	U401
U202	U302	U402	U403
U203	U303	U404	U405
U204	U304	U406	U407
U205	U305	U408	U409
U206	U306	U410	U411
U207	U307	U412	U413
U208	U308	U414	U415
U209	U309	U416	U417
U210	U310	U418	U419
U211	U311	U420	U421
U212	U312	U422	U423
U213	U313	U424	U425
U214	U314	U426	U427
U215	U315	U428	U429
U216	U316	U430	U431
U217	U317	U432	U433
U218	U318	U434	U435
U219	U319	U436	U437
U220	U320	U438	U439
U221	U321	U440	U441
U222	U322	U442	U443
U223	U323	U444	U445
U224	U324	U446	U447
U225	U325	U448	U449
U226	U326	U450	U451
U227	U327	U452	U453
U228	U328	U454	U455
U229	U329	U456	U457
U230	U330	U458	U459
U231	U331	U460	U461
U232	U332	U462	U463
U233	U333	U464	U465
U234	U334	U466	U467
U235	U335	U468	U469
U236	U336	U470	U471
U237	U337	U472	U473
U238	U338	U474	U475
U239	U339	U476	U477
U240	U340	U478	U479
U241	U341	U480	U481
U242	U342	U482	U483
U243	U343	U484	U485
U244	U344	U486	U487
U245	U345	U488	U489
U246	U346	U490	U491
U247	U347	U492	U493
U248	U348	U494	U495
U249	U349	U496	U497
U250	U350	U498	U499
U251	U351	U500	U501

TASCAM
TEAC Professional Division

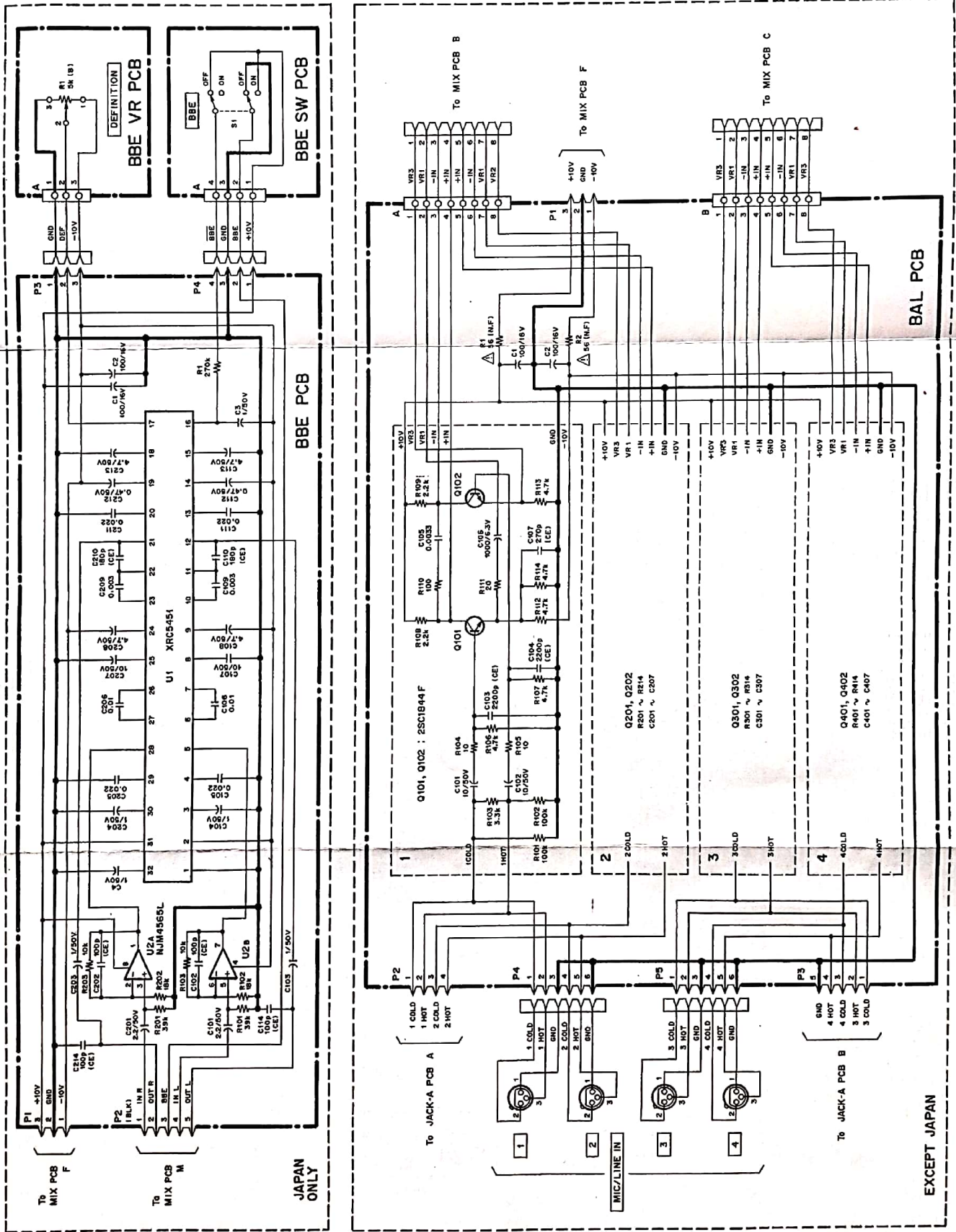
① To MIX PCB (1/3)
② To MIX PCB (2/3)
③ To MIX PCB (3/3)

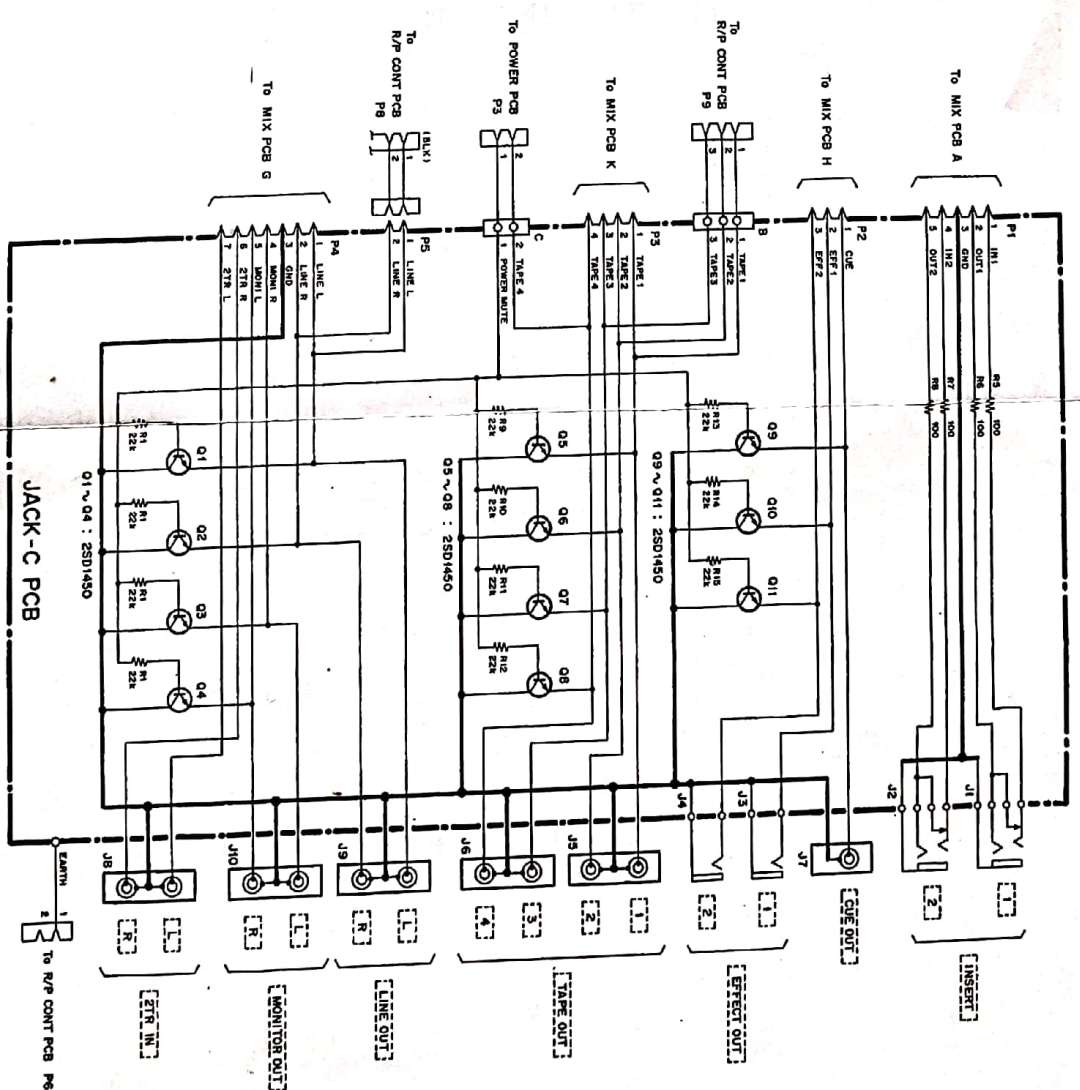
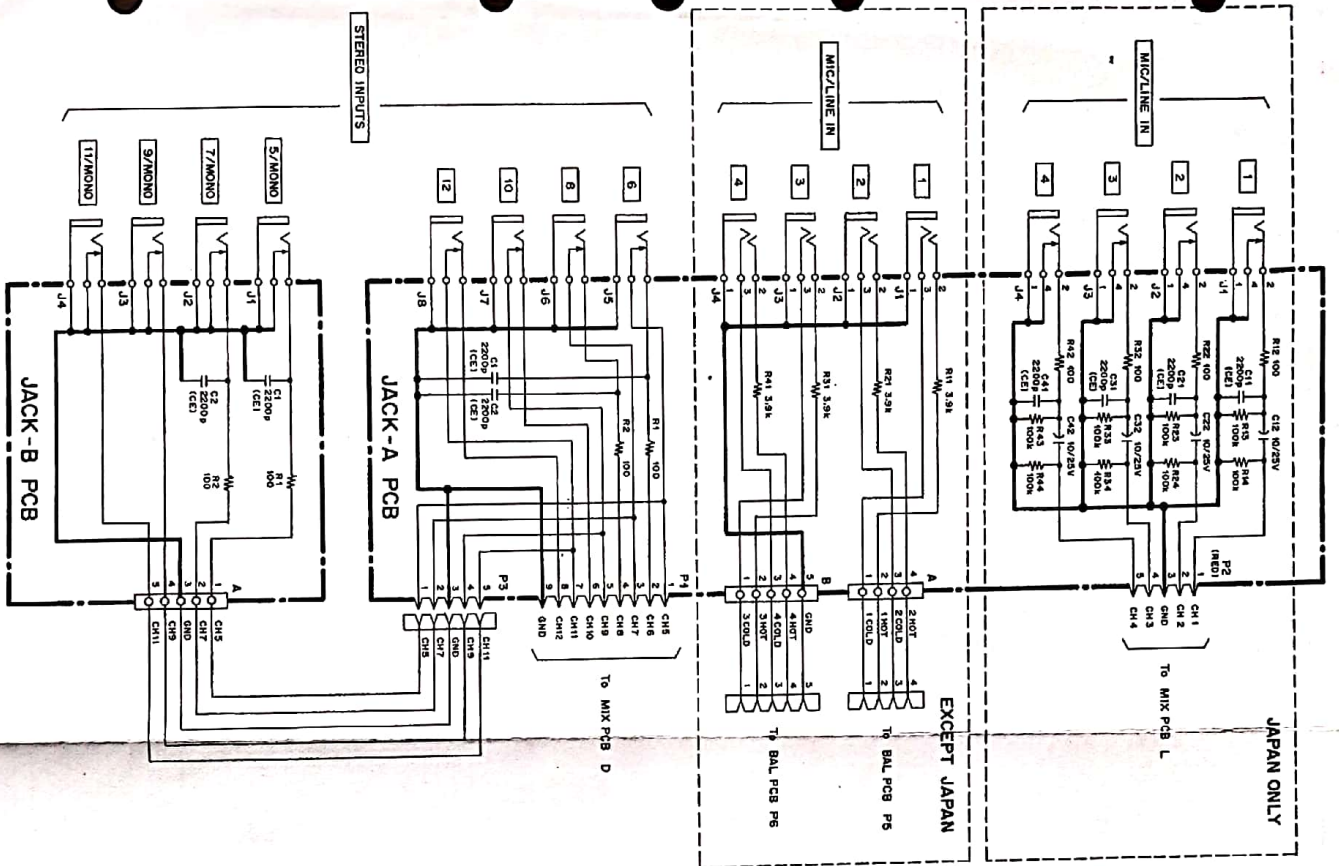
TASCAM Schematic Diagram 464 Power Supply and Mecha Control Section
TEAC Professional Division



TASCAM SCHEMATIC DIAGRAM 464
TEAC Professional Division

BBE PCB/BBE VR PCB/BBE SW PCB (JAPAN ONLY), BAL PCB (EXCEPT JAPAN)





TASCAM Schematic Diagram 464 JACK A/B/C PCB
TEAC Professional Division

